



**10.4" LCD EDTV**  
L10V34S Shown

**DESIGNED SPECIFICALLY FOR THE COMMERCIAL INDUSTRY**

**L10V34S Silver 10.4" LCD EDTV Monitor**



Space Saving Flat Panel Display  
Scratch/Chemical Resistant Screen  
Standard VESA Mounting Interface  
Built-in NTSC Tuner  
800 x 600 (SVGA) Panel Resolution

High Reliability, Sealed Front Panel Controls  
DC 12V Input (AC/DC Adaptor sold separately)  
Discrete IR Codes

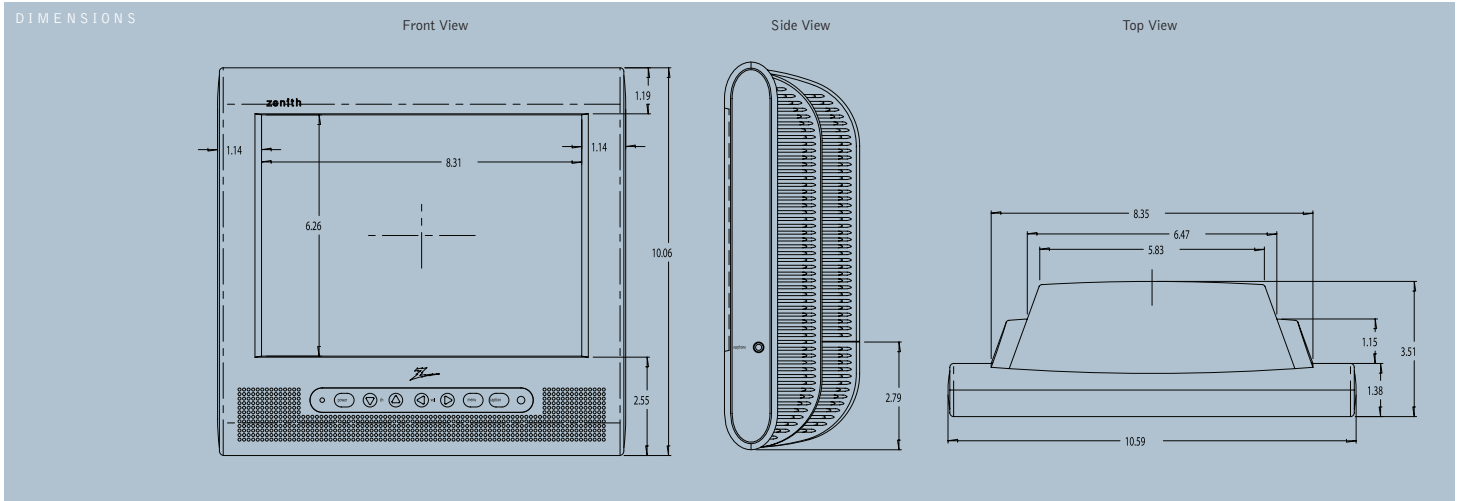
Built-in Stereo Speakers  
Wide Viewing Angle  
Electrically Isolated Earphone Output  
Built-in Zenith Card Slot—  
Multiple Protocol Interface (MPI)

**Other Model Available**  
L10V34H Beige  
Optional HCS1040T Power Converter Card



# L10V34S Silver 10.4" LCD EDTV Monitor

## L10V34H Beige 10.4" LCD EDTV Monitor



### PANEL

Screen Size	10.4"
Aspect Ratio	4:3
Native Resolution (800 x 600)	SVGA
Pixels (H x V x 3)	1,440,000
Brightness	350 cd/m2
Contrast Ratio	180:1 min.
Viewing Angle (Horizontal)	120°
Viewing Angle (Vertical)	95°
Color Depth	262,144
Scratch/Chemical Resistant	Yes

### VIDEO

NTSC Tuner	Built-in
Tuner Type	NTSC-M
Comb Filter	4H Digital
Digital Progressive Scan	Yes
Auto-Programming	Yes
White Peak Control	Yes



L10V34H Beige 10.4" LCD EDTV Monitor



Side View

### VIDEO/AUDIO INPUTS

Composite A/V	1 Set
RF	1 Input (on Card only)
MPI (RJ11)	Yes (on Card)
Stereo Headphone (Isolated)	1 (Side)
RS232 Control	Yes w/optional Card

### AUDIO

Mono/MTS Stereo	Yes
Auto Volume Leveler	Yes
Headphone Output	Yes
Audio Power	2 x 1 Watt
Speaker Size	1.54"W x 1.08"H x 0.52"D

### SPECIAL FEATURES

Discrete IR Codes	Yes
Menu Languages	English/Spanish/French
Sleep & On/Off Timers	Yes
Parental Control w/ V-Chip	Yes
Flashback, Captions, CC When Mute (Flashback w/optional remote)	Yes
Soft Touch Controls	Yes
VESA Standard 75mm Mount Interface	Yes

### CABINET

Color	Silver or Beige
Dimensions	10.59"W x 10.06"H x 3.51"D
Weight	5.25 Lbs.

### POWER REQUIREMENTS

DC 12V Input	Yes (AC/DC Adaptor sold separately)
Power (Nominal)	
– Standby	5.1 Watts
– Operation	21.2 Watts (w/out card)

### SERVICE/LIMITED WARRANTY

Warranty (Parts/Labor)	1 Year
Customer Service	1-888-865-3026

### Optional HCS1040T Power Converter Card



Provides both a programming signal and power to L10V34H and L10V34S Zenith Hospital TVs through the RF cable. This method of power supply is intended to prevent the patient from having access to an AC power supply cord. In order to convert a L10V34H or L10V34S TV to DC power, the old card must be removed from the TV and the new Power Converter Card installed.

**Application:** Utilize power provided on the RF signal cable in addition to the RF signal to power a 10" personal monitor (Hospital Application). Stripping off and converting the 28Vac to 12Vdc, while passing on the RF signal to the LCD's tuner/demodulator unchanged.

### HCS1040T SPECIFICATIONS: INPUT

Voltage Range (Continuous) (Line Variation & 2.5 V drop for 300 ft. of the Coax Cable)	22.7 – 30.8 VAC
Frequency	47 – 63 Hz
Connector	Type F
RF Input Signal	30mV Min. Signal
Operating Frequency	50 – 800 MHz

### ENVIRONMENTAL

Operating Temperature	0 – 40°C
Storage Temperature	-20 – 85°C
Cooling	Free Air Convection
Humidity	10% – 90% Non-Condensing Storage up to 6 Months, 5% – 95% Non-Condensing
Altitude	From Sea Level to 10,000 Ft.

### REGULATORY

UL/CSA and FCC – Part 15, Class B	
Hospital Standard Leakage Current	UL 1492 <0.1 mA

### GENERAL

RF Insertion Loss	<1 dB
Zenith MPI Interface Compliance	sp28-3977pV101 & 28-04014 rev C

Zenith Electronics Corporation

2000 Millbrook Drive, Lincolnshire, IL 60069  
Web: www.zenith.com

Dimensions and weights are approximate. Design and specifications subject to change without notice.

The lightning bolt 'Z' and Resolution Revolution are trademarks of Zenith Electronics Corporation. ©2005 Zenith Electronics Corporation. Printed in the USA. Z1034S0105