

# ELMO ANNOTATION MODULE EVR-100

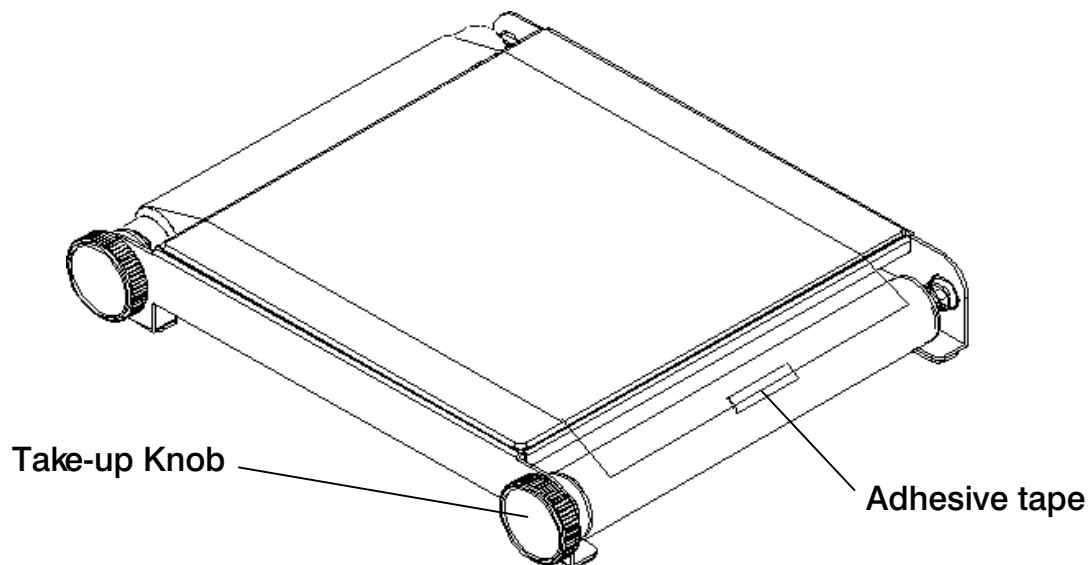
## SETTING UP

Stretch the film over the stage.

Stick the end of the film on the core of the empty roll by using adhesive tape.

Wind the film by turning the take-up knob.

Place the EVR-100 on the stage of your ELMO Presenter for use.



**Caution: Do not write on top surface directly, only write on Acetate.**

Dimensions : 12.4"(W) x 14.8"(D) x 2.4"(H)  
315mm(W) x 376mm(D) x 61mm(H)

Weight : 1.5 lbs (0.68 kg)

## OPTIONAL ACCESSORIES

- Writing Roll Film (Code 4367)
- Base Light Unit SV-450 :

The combination of the EVR-100 and the SV-450 converts the ELMO EV-2000AF or HV-3000XG as well as EV-200 or HV-100XG notebooks from standard analog/digital document cameras to enhanced units with simplified, easy-to-use annotation capabilities.